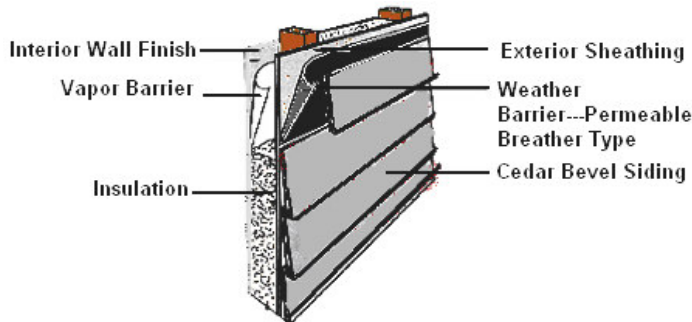




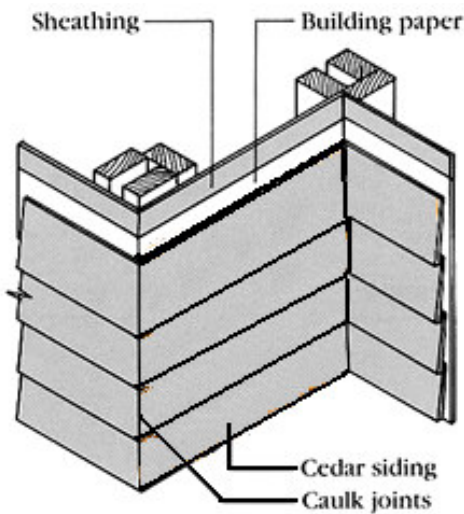
The National Organization of Exterior Finish System Inspectors™

PO Box 19509 Portland, Oregon 97280-0509 * Phone: 1-888-549-6531 * Fax: (503) 452-0653

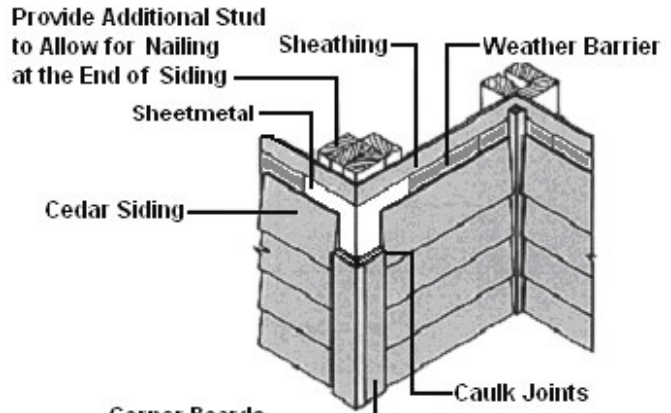
Details for Wood Siding



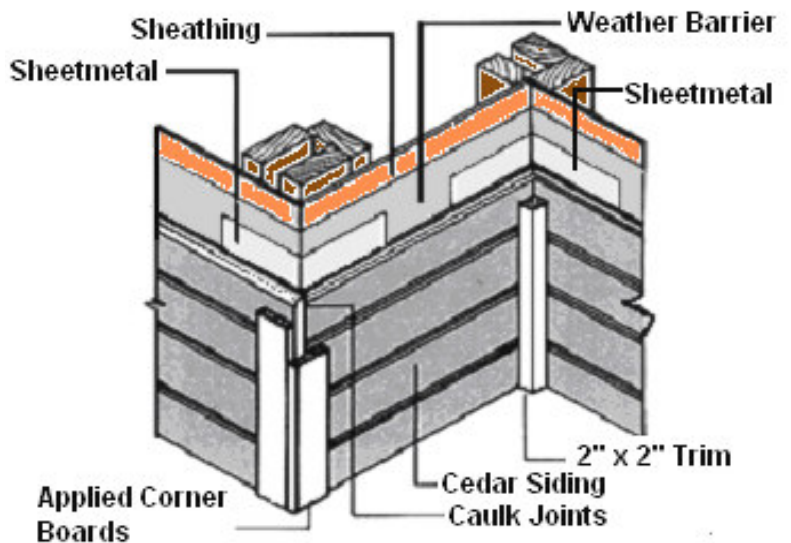
Permeable Weather Barrier and Vapor Barrier



Mitered Corners



Corner Boards with Sheetmetal



Trim Boards With Sheetmetal